



## ScanPal® 2

### Features

- **128 x 64 dot Graphic LCD Display (backlit)**
- **CCD or Laser scan engine options**
- **1 MB for programs and 1 MB SRAM for data**
- **RS232, KBW, Infrared & IrDA interfaces**
- **Alkaline or NiMH rechargeable batteries**
- **Application generator and download software**

**The ScanPal 2** is a portable data collection terminal with elegant styling. It is designed to provide high performance for all-day, everyday use. It is supported by a rich set of development tools, including 'C', 'BASIC' and a Windows-based application generator.

With its integrated Laser/LRCCD barcode scanning unit, the ScanPal 2 is ideal for inventory control, work-in-process tracking, shop floor management, asset tracking, meter reading, warehousing and distribution operations.

### Accessories:

- Download/Charger Cradle.
- Dual battery pack charger (incl power supply).
- IR Transceiver.
- Protective case.
- KBW interface cable.
- Basic & 'C' development tools.



# ScanPal® 2

## OPERATIONAL

CPU	16-bit CMOS, low power consumption
Program memory	1 MB flash memory
Data memory	1 MB SRAM
Display	128 x 64 graphic dots FSTN with LED back-lit
Keypad	21 rubber keys
Indicator	Buzzer – Programmable, 1 KHz to 4KHz LED – Dual-color, green and red
Laser Scanner	Light source – Visible Laser diode operating at $670 \pm 15$ nm. Scan rate – $36 \pm$ scans/sec Scan angle – $42^\circ$ nominal Depth of field – 5 cm - 95 cm, depends on bar code resolution
CCD Range	Resolution: 0,1mm - 1.0 mm Depth of field – 30 mm - 160 mm (for 0.33 mm label) Scan rate – 100 scans/sec
Communication	RS-232 – Transmission speed up to 115.2k bps ,Keyboardwedge IrDA – Standard 1.0 compatible, up to 115.2k bps High speed IR – Up to 115.2k bps transmission rate
Programming Language	'C', 'BASIC', and a Windows-based Application Generator

## MECHANICAL

Length	145 mm
Width	63 mm
Height	33.5 mm
Weight	180 g (including batteries)

## ELECTRICAL

Power - Battery Operation	Two AAA size removable or rechargeable NiMH batteries
Power - Backup Battery	3.0V, 7.0mAh, rechargeable Lithium-ion battery
Operation	Over 100 hours (with Alkaline batteries)

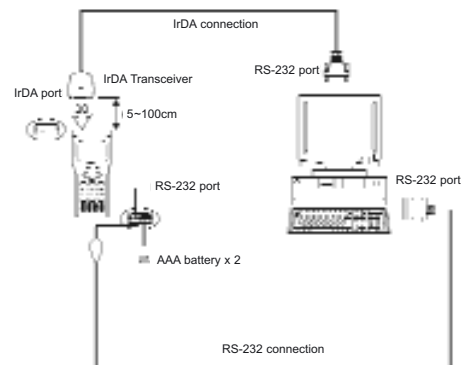
## ENVIRONMENTAL

Operating Temperature	-20°C to 60°C
Storage Temperature	-30°C to 70°C
Humidity	Non-condensing 5 % to 95 %
Shock resistance	1.2m drop onto concrete
EMC regulation	FCC class-A, CE and C-Tick approved

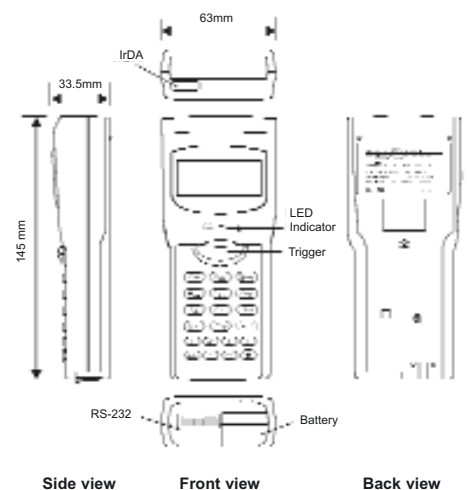
## ACCESSORIES

KBW cable, High speed IR Transceiver, Protective case, Dual battery pack charger, Download/Charger Cradle

## RS-232 and IrDA Connection



## Dimensions



Specifications subject to change without notice.  
Copyright February 2002.  
Metrologic, All rights reserved.



**RUOSS-KISTLER AG, Kantonsstrasse 55, 8863 Buttikon**

Tel.: (+41) 055 464 35 15 Mail: [handel@ruoss-kistler.ch](mailto:handel@ruoss-kistler.ch)

Fax: (+41) 055 464 35 01 Internet: [www.ruoss-kistler.ch](http://www.ruoss-kistler.ch)